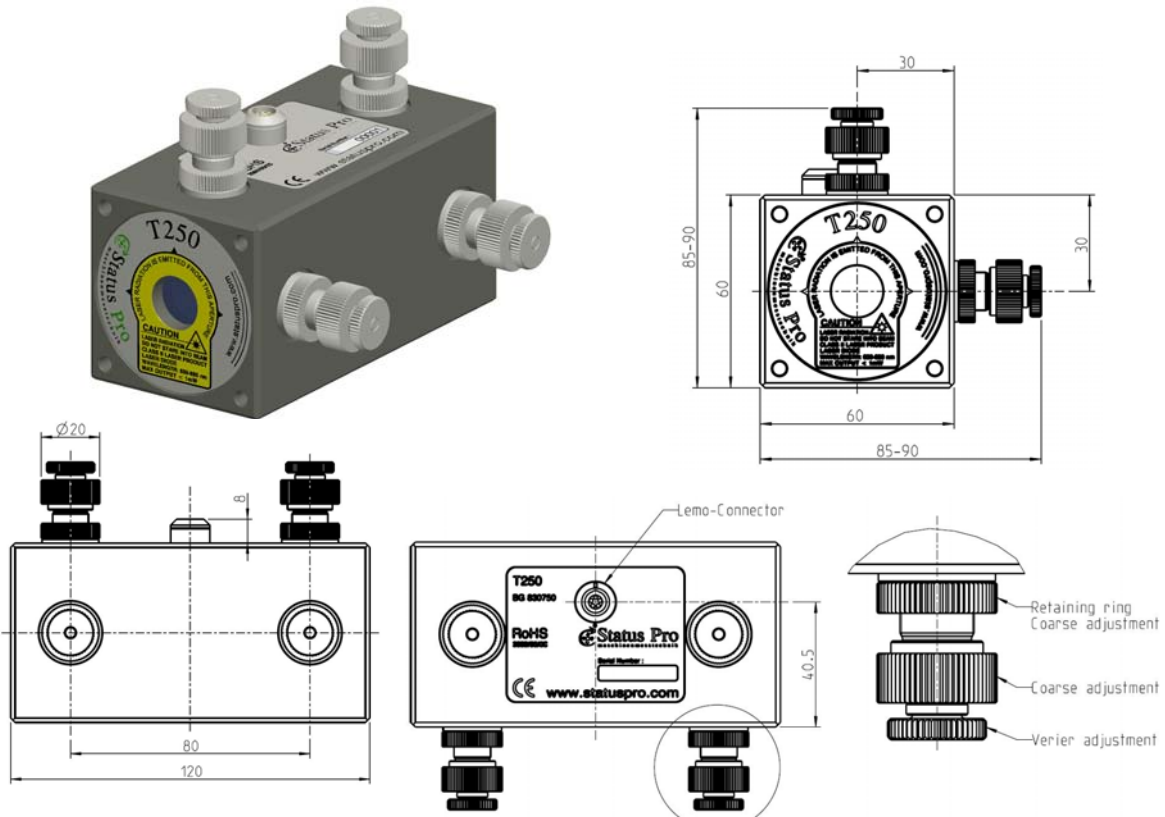


**Technical  
Data sheet**  
SP T250-P

Status Pro Maschinenmesstechnik GmbH  
Mausegatt 19 44866 Bochum  
Tel.: +492327 / 9881-0  
Fax: +492327 / 9881-81  
Email: info@statuspro.de



## Adjustable Laser transmitter T250

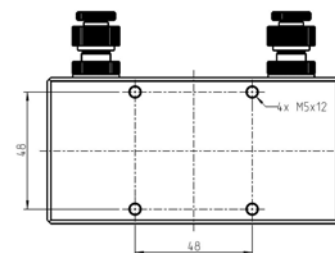
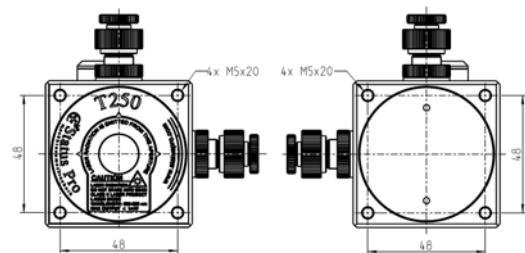


**Technical Data:**

Laser type :	Gaussian distrib. Class 2a
Laser power :	0.5 mW (max. < 1mW)
Laser wavelength :	630-680 nm
Laser range :	100 m
Temperature :	0° - 50°C
Connector :	Lemo
Housing :	Aluminium, anodized
Degree of protection :	IP 54
Dimensions :	120 x 90 x 90
Weight :	950g

**Fixing options:**

Front-, back- and undersides are each fitted with 4x M5 threaded holes.



**Description:**

The position of the Laser transmitter T250 can be adjusted in offset and angle. Each micrometer has a range of 4mm. Optimally applicable for elementary straightness measuring or the measuring of bearing guides and ways.

**Part numbers:**

BG 830750	Laser transmitter T250
BG 800010	Power supply
BG 832050	Delta fixture

**Customer Service**

Tel.: +492327 / 9881-0

This document was prepared exercising the utmost care and attention! Subject to change without prior notice!

**Version**

1.0

**Valid from**

01.05.2009

1 / 1