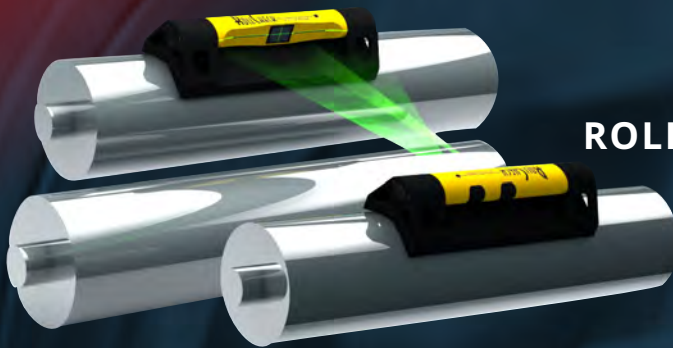
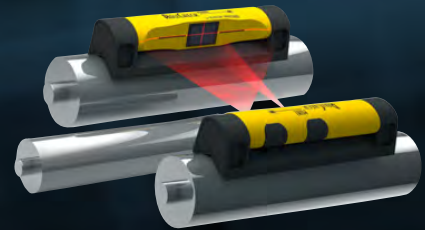


PRECISION LASER ALIGNMENT SYSTEMS

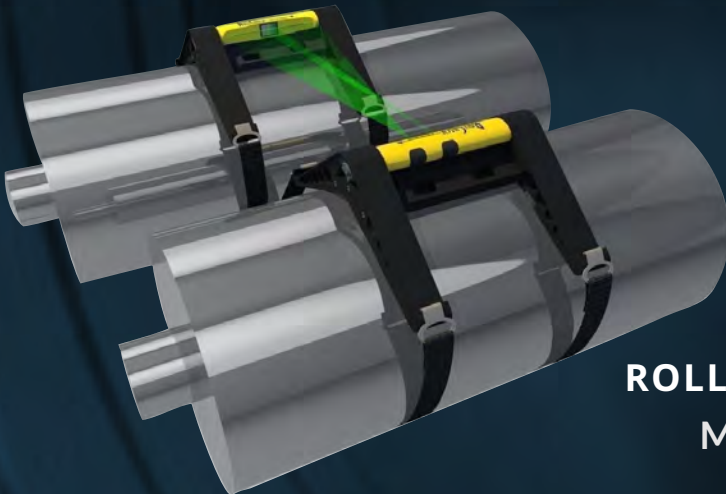
ROLLCHECK[®] PARALLEL ROLL ALIGNMENT INSTRUMENTS



ROLLCHECK[®] GREEN
Model SX-5150



ROLLCHECK[®] MINI
Model SX-4150



ROLLCHECK[®] MAX
Model SX-6150

It Is The Ideal Solutions To Perform Corrections On The Spot

Patented Reflected Laser Beam Technology

RollCheck® Laser Alignment Systems patented design allows you to quickly, yet accurately, bring into parallel alignment two or more adjacent rolls. It greatly reduces the time now required to align rolls in countless industries such as paper, printing metals, plastics, film, food and textiles.

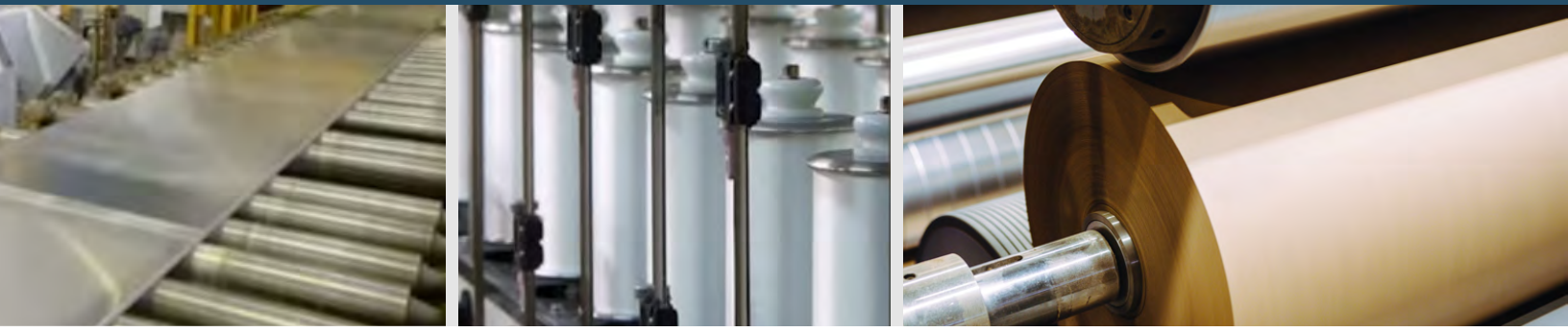


KEY BENEFIT

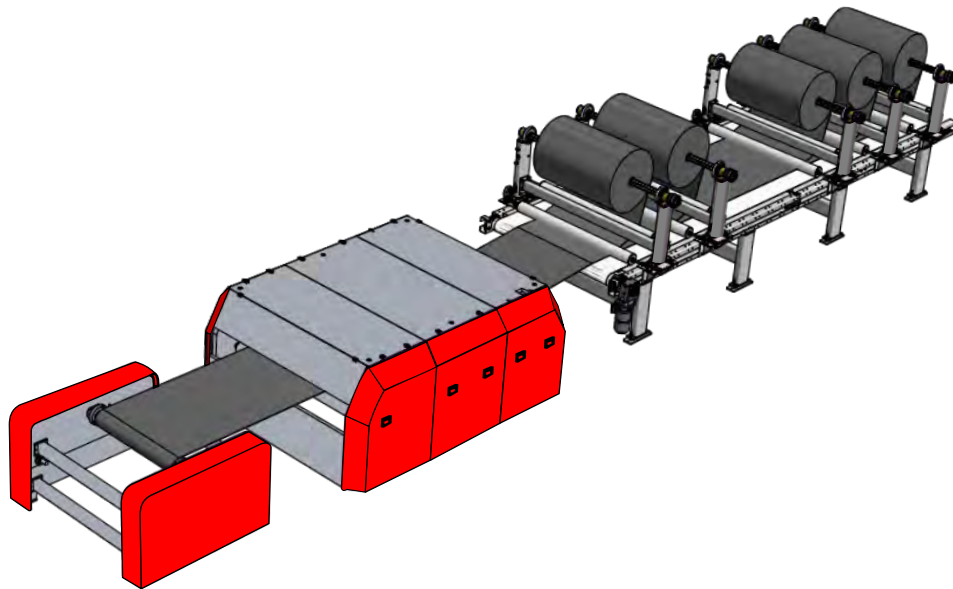
-  Reduces down time and product waste due to misalignment of rolls
-  Pays for itself quickly
-  Fast and easy to use and no training required
-  Facilitates more frequent roll checks
-  Uses our proven patented reflected laser beam technology
-  Increases production with proper alignment of rolls
-  One-person operation
-  Compact design, fits into small spaces
-  Bright Green or Red laser lines

SYSTEM PERFORMANCE

PARALLEL ROLL ALIGNMENT INSTRUMENTS



ROLLCHECK WORKS ON THE ENTIRE PRODUCTION LINE NO MATTER WHAT SIZE ROLLS.



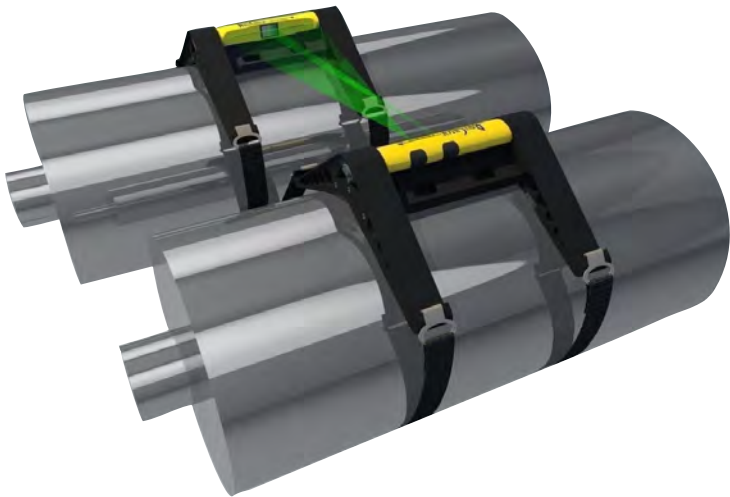
RollCheck® Rental Purchase Program

The RollCheck® can be purchased through our Rental Purchase Program so you can try it before you buy it. Ask us for details. For more information about our laser pulley alignment and parallel roll alignment systems, please see our website at www.seiffertindustrial.com or call us at 1-800-856-0129

SYSTEM KEY FEATURES

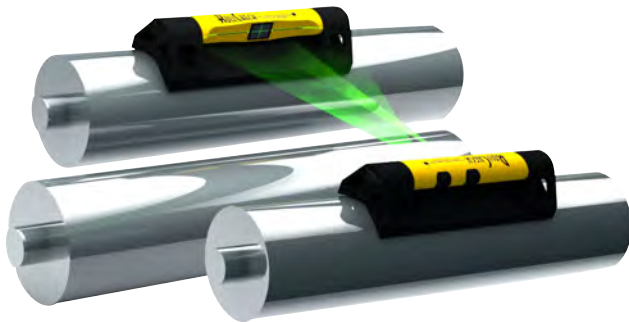
PARALLEL ROLL ALIGNMENT INSTRUMENTS

ROLLCHECK[®] MAX Model SX-6150



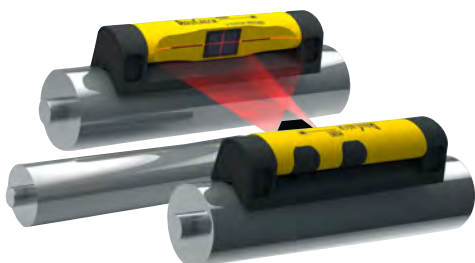
- Designed for medium to large machines
- 6 inch or 101 mm to 8 foot or 2400 mm roll diameters
- Shots greater than 10 feet or 3 meters
- Rechargeable lithium ion batteries

ROLLCHECK[®] GREEN Model SX-5150



- Designed for medium to large machines
- 1 inch or 25 mm to 12 inch (305 mm) roll diameters
- Shots greater than 10 feet (3 meters)
- Rechargeable lithium ion batteries

ROLLCHECK[®] MINI Model SX-4150



- Designed for small machines
- 1 inch (25 mm) to 4 inch (101 mm) roll diameters
- Shots up to 4 feet (1200 mm)
- Rechargeable lithium ion batteries



SEIFFERT INDUSTRIAL *products* **MADE IN THE USA**

PRECISION LASER ALIGNMENT SYSTEMS

Seiffert Industrial have provided laser alignment tools to a wide variety of industries all over the world. Seiffert Industrial has pulley alignment systems, parallel roll alignment tools, and belt tension meters from the best brands on the market.

For more information on our laser alignment tools, browse our products page for more about each item's features and photos. You can also request more information about our products by filling out our online contact form to get more information about our products and services.

Find us on social media sites on Facebook, LinkedIn, Twitter and YouTube to get the latest from our expert staff about great new products and promotions with up to the minute updates about Seiffert Industrial.



1323 Columbia Dr., Suite 305, Richardson, TX 75081

Phone: 972-671-9465 | Toll Free: 800-856-0129 | Fax: 972-671-9468

info@seiffertindustrial.com | Web: www.seiffertindustrial.com